



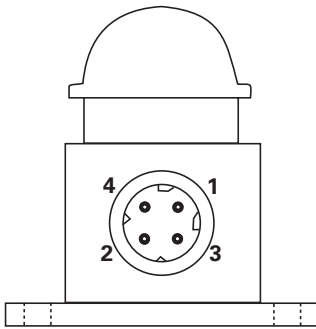
**Remote Emergency Shut Off Switch
Part 0-605-95**

Connector Wiring Instructions

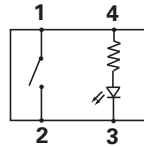
This remote chassis emergency shut off switch is for use with the part 0-605-35 and 0-605-47 battery isolator switch.

Switch Pin No.	Battery Isolator Switch Terminal No.
1	2
2	7
3	Earth (Negative)
4	30a (Positive)

See 0-605-35/47 instructions for further details.



Schematic Diagram



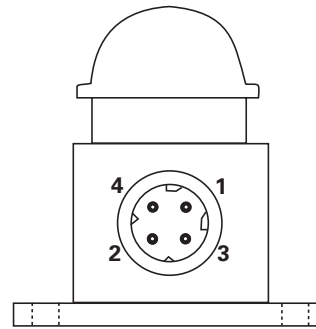
**Remote Emergency Shut Off Switch
Part 0-605-95**

Connector Wiring Instructions

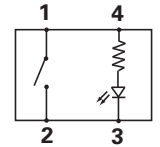
This remote chassis emergency shut off switch is for use with the part 0-605-35 and 0-605-47 battery isolator switch.

Switch Pin No.	Battery Isolator Switch Terminal No.
1	2
2	7
3	Earth (Negative)
4	30a (Positive)

See 0-605-35/47 instructions for further details.



Schematic Diagram



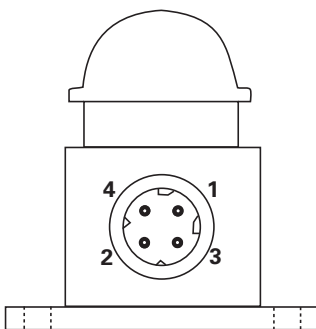
**Remote Emergency Shut Off Switch
Part 0-605-95**

Connector Wiring Instructions

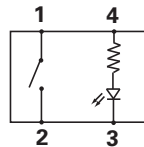
This remote chassis emergency shut off switch is for use with the part 0-605-35 and 0-605-47 battery isolator switch.

Switch Pin No.	Battery Isolator Switch Terminal No.
1	2
2	7
3	Earth (Negative)
4	30a (Positive)

See 0-605-35/47 instructions for further details.



Schematic Diagram



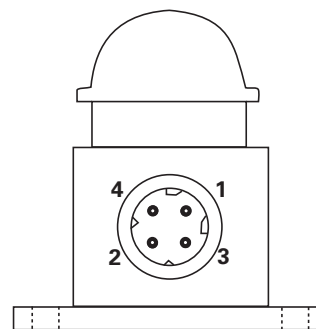
**Remote Emergency Shut Off Switch
Part 0-605-95**

Connector Wiring Instructions

This remote chassis emergency shut off switch is for use with the part 0-605-35 and 0-605-47 battery isolator switch.

Switch Pin No.	Battery Isolator Switch Terminal No.
1	2
2	7
3	Earth (Negative)
4	30a (Positive)

See 0-605-35/47 instructions for further details.



Schematic Diagram

